

CellOptik 12V dc

The CellOptik 12Vdc is a dusk to dawn switch designed to switch on and off 12 Volt devices at night. Its compact size means that it can be fitted in to limited spaces and uses long life relay contacts.

Applications

- Garden lighting
- Boats
- Caravans
- Filament & Fluorescent lamps
- Solar

Features

- Compact size (see diagram below)
- Long life contacts made from Silver Oxide
- Defaults to lighting switched on
- RoHS Compliant

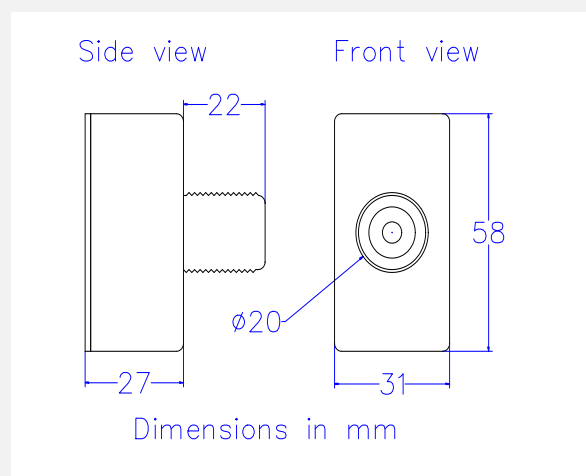


Specifications

	Minimum	Typical	Maximum	Unit
Control load	100	*****	5000*	ma
Operating voltage	11	12	14.5	Volts dc
Standby power off	26	28	29	ma
Standby power	2.8	3.2	3.5	ma
Switch On level	40	50	60	Lux
Switch Off level	60	70	80	Lux
Time delay	4.5	5	5.5	Seconds
Operating Temperature	-25	20	+60	°C
Ingress rating (installed)	*****	*IP65)	*****	IP
Storage Temperature	-40	*****	+80	°C
Mounting tread	*****	M20	*****	mm

When installed *

Out Line Dimensions



Conversion (20=¾" 27=1" 31=1¼" 58=2")